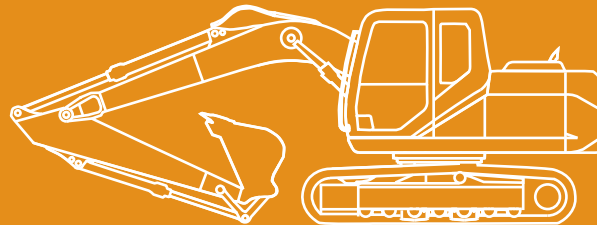


D-SERIES CRAWLER EXCAVATORS SPEC SHEET



ENGINE

Mode _____ ISUZU AR-4JJ1X
 Type _____ Water-cooled, 4-cycle diesel, 4-cylinder in line,
 High pressure common rail system (electric control),
 turbocharger with air cooled intercooler, SCR system

Number of cylinders/Displacement (l) _____ 4 / 2,99
 Bore and stroke (mm) _____ 95.4 X 104.9

Rated flywheel horse power

(ISO 9249) _____ 76.4 kW at 2000 min⁻¹
 (ISO 14396) _____ 78.5 kW at 2000 min⁻¹

Maximum torque

(ISO 9249) _____ 349 N-m at 1800 min⁻¹
 (ISO 14396) _____ 356 N-m at 1800 min⁻¹

HYDRAULIC SYSTEM

Main pumps _____ 2 variable displacement axial piston pumps
 with regulating system

Max. oil flow (l/min) _____ 2 × 129 at 2000 min⁻¹

Working circuit pressure

Boom/Arm/Bucket (MPa) _____ 34.3
 36.3 with auto power boost

Swing circuit (MPa) _____ 27.9

Travel circuit (MPa) _____ 34.3

Pilot pump _____ 1 gear pump

Max. oil flow (l/min) _____ 20

Working circuit pressure (MPa) _____ 3.9

Blade pump (CX130D Blade) _____ 1 gear pump

Max. oil flow (l/min) _____ 54 at 2000 min⁻¹

Working circuit pressure (MPa) _____ 20.6

Boom Cylinders

Bore (mm) _____ 105

Stroke (mm) _____ 961

Arm Cylinders

Bore (mm) _____ 115

Stroke (mm) _____ 1108

Bucket Cylinders

Bore (mm) _____ 95

Stroke (mm) _____ 881

SWING

Swing Motor _____ Fixed displacement axial piston motor

Maximum swing speed (min⁻¹) _____ 14.3

Swing torque (Nm) _____ 33.000

FILTERS

Suction filter (µm) _____ 105

Return filter (µm) _____ 6

Pilot line filter (µm) _____ 8

ELECTRICAL SYSTEM

Voltage (V) _____ 24

Alternator (Amp) _____ 50

Starter (V/kW) _____ 24/4.0

Battery _____ 2 X 12 V 72 Ah/5HR

UNDERCARRIAGE

Travel motor _____ Variable displacement axial piston motor

Travel speeds

High (km/h) _____ 5.6

Low (km/h) _____ 3.4

Automatic travel speed shifting

Drawbar pull (kN) _____ 116

CX130D BLADE

Number of carrier rollers (each side) _____ 1

Number of track rollers (each side) _____ 7

Number of shoes (each side) _____ 43

CX130D LC

Number of carrier rollers (each side) _____ 1

Number of track rollers (each side) _____ 7

Number of shoes (each side) _____ 46

CIRCUIT AND COMPONENT CAPACITIES

Fuel tank (l) _____ 260

Hydraulic system (l) _____ 157

Hydraulic tank (l) _____ 82

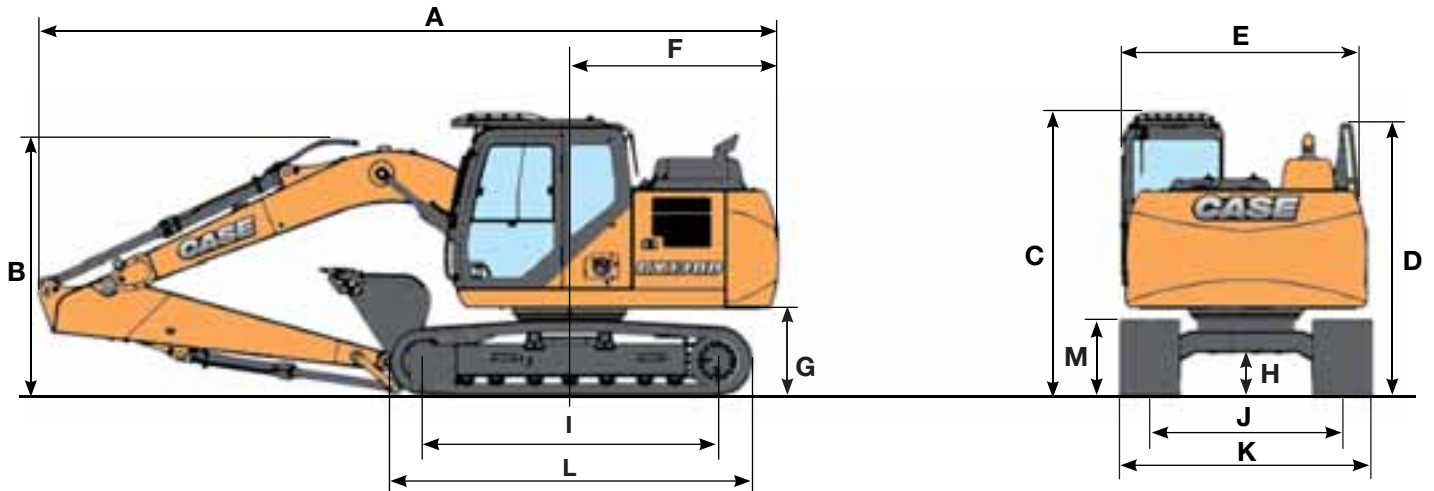
Adblue tank (l) _____ 75

WEIGHT AND GROUND PRESSURE

with 2.50 m Arm , 0.5 m³ Bucket , 600 mm grouser shoe, operator,
 lubricant, coolant, full fuel tank and top guard OPG level 2

CX130D	BLADE	LC
Weight	14.000 kg	13.400 kg
Ground Pressure	0.038 MPa	0.033 MPa
Counterweight	1.990 kg	

SPECIFICATIONS



GENERAL DIMENSIONS

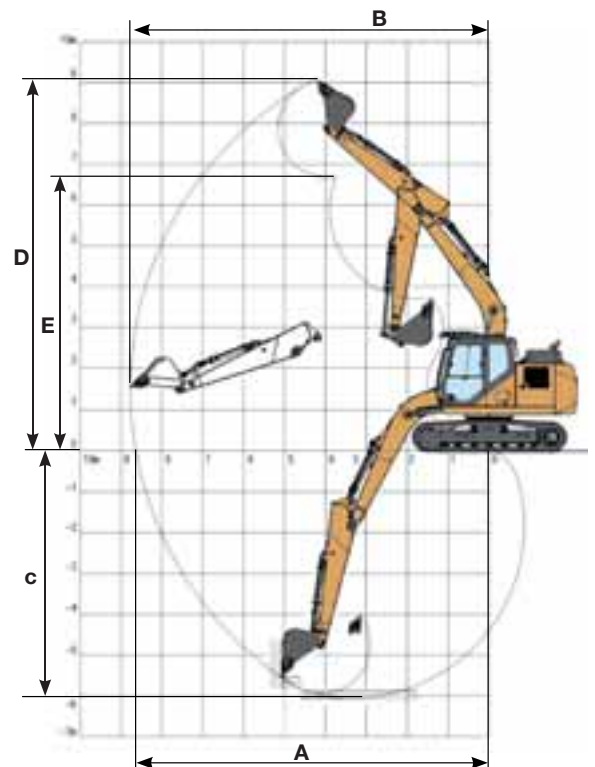
	mm	BLADE			LC		
		Arm 2.50 m	Arm 3.01 m	Arm 2.11 m	Arm 2.50 m	Arm 3.00 m	Arm 2.10 m
Overall length (without attachment)	mm	4160	4160	4160	4030	4030	4030
A Overall length (with attachment)	mm	7900	7900	7890	7650	7640	7640
B Overall height (to top of boom)	mm	2770	2640	2680	2770	2640	2680
C Cab height	mm	2920	2920	2920	2920	2920	2920
D Overall height (to top of handrail)	mm	2810	2810	2810	2810	2810	2810
E Upper structure overall width	mm	2530	2530	2530	2530	2530	2530
F Swing (rear end) radius	mm	2170	2170	2170	2170	2170	2170
G Clearance height under upper structure	mm	895	895	895	895	895	895
H Minimum ground clearance	mm	425	425	425	420	420	420
I Wheel base (Center to center of wheels)	mm	2790	2790	2790	3040	3040	3040
L Crawler overall length	mm	3500	3500	3500	3760	3760	3760
M Crawler tracks height	mm	780	780	780	780	780	780
J Track gauge	mm	1990	1990	1990	1990	1990	1990
K Undercarriage overall width (with 600 mm shoes)	mm	2590	2590	2590	2590	2590	2590

PERFORMANCE DATA

		Arm 2.50 m	Arm 3.01 m	Arm 2.11 m
Boom length	mm	4630	-	-
Bucket radius	mm	1200	1200	1200
Bucket wrist action	°	178	178	178
A Maximum reach at GRP	mm	8170	8640	7810
B Maximum reach	mm	8310	8770	7960
C Max. digging depth	mm	5550	6050	5160
D Max. digging height	mm	8770	9050	8550
E Max. dumping height	mm	6390	6680	6170

DIGGING FORCE (ISO 6015)

		Arm 2.50 m	Arm 3.01 m	Arm 2.11 m
Arm digging force	kN	62	56	70
with Auto power up	kN	66	60	74
Bucket digging force	kN	90	90	90
with Auto power up	kN	95	95	95



LIFTING CAPACITY

CX130D

Front Side	REACH												
	0 m		1.5 m		3.0 m		4.5 m		6.0 m		7.5 m		At max reach

CX130D BLADE DOWN Standard arm. 2.50 m arm length, 0.50 m³ bucket, 600 mm shoes, max reach 8.31 m

7.5 m							1830*	1830*					1420*	1420*	5.22
6.0 m													1210*	1210*	6.70
4.5 m							2900*	2900*					1140*	1140*	7.53
3.0 m							5260*	5260*	3950*	3750*	5260*	5260*	1140*	1140*	7.94
1.5 m							7700*	6720	5060*	3520	7700*	6720	1210*	1210*	8.02
0 m			2490*	2490*	7980*	6240	5800*	3310	7980*	6240	2490*	2490*	1350*	1350*	7.80
-1.5 m			5020*	5020*	9240*	6200	5940*	3220	9240*	6200	5020*	5020*	1610*	1560	7.25
-3.0 m			7810*	7810*	8520*	6300	5600*	3270	8520*	6300	7810*	7810*	2180*	1960	6.31
-4.5 m							6460*	6370*	4000*	3390*	6460*	6370*	3490*	3080	4.76

CX130D BLADE DOWN Short arm. 2.11 m arm length, 0.55 m³ bucket, 600 mm shoes, max reach 7.96 m

7.5 m							2060*	2060*					1760*	1760*	4.60		
6.0 m							2890*	2890*	2270*	2270*			1460*	1460*	6.26		
4.5 m							3230*	3230*	3010*	2390			1360*	1360*	7.14		
3.0 m							5670*	5670*	4250*	3690	3450*	2300	1800*	1530	1370*	1370*	7.58
1.5 m							8010*	6490	5280*	3440	3940*	2180	2360*	1490	1430*	1430	7.67
0 m							7280*	6100	5860*	3250	4230*	2090			1590*	1480	7.44
-1.5 m			5450*	5450*	9080*	6180	5880*	3200	4200*	2060					1920*	1690	6.86
-3.0 m			8150*	8150*	8050*	6320	5340*	3280							2660*	2190	5.85
-4.5 m							5470*	5470*							3800*	3800*	4

CX130D BLADE DOWN Long arm. 3.01 m arm length, 0.37 m³ bucket, 600 mm shoes, max reach 8.77 m

7.5 m															1360*	1360*	5.96					
6.0 m										2230*	2230*				1190*	1190*	7.26					
4.5 m										2590*	2470	2040*	1660		1130*	1130*	8.02					
3.0 m										3440*	3440*	2970*	2400	2580*	1610	1140*	1140*	8.40				
1.5 m										6600*	6600*	4680*	3580	3610*	2250	3020*	1540	1200*	1200*	8.49		
0 m										2590*	2590*	8530*	6270	5560*	3320	4070*	2130	3240*	1480	1330*	1250	8.28
-1.5 m			3740*	3740*	4550*	4550*	9090*	6090	5890*	3180	4240*	2050	2620*	1450	1560*	1380	7.76					
-3.0 m			5030*	5030*	6650*	6650*	8830*	6160	5730*	3200	4060*	2080			2030*	1630	6.89					
-4.5 m										10680*	10680*	7320*	6350	4760*	3360					3270*	2430	5.49

CX130D BLADE UP Standard arm. 2.50 m arm length, 0.50 m³ bucket, 600 mm shoes, max reach 8.31 m

7.5 m							1830*	1830*							1420*	1420*	5.22					
6.0 m										2370*	2340				1210*	1210*	6.70					
4.5 m										2900*	2900*	2830	2300	1240*	1240*	1140*	1140*	7.53				
3.0 m										5260*	5260*	3950*	3540	2910	2200	1970	1470	1140*	1140*	7.94		
1.5 m										7700*	6190	4450	3280	2780	2080	1910	1420	1210*	1210*	8.02		
0 m										2490*	2490*	7980*	5730	4230	3070	2670	1970	1870	1370	1350*	1280	7.80
-1.5 m										5020*	5020*	8340	5690	4130	2990	2620	1930			1610*	1440	7.25
-3.0 m										7810*	7810*	8440*	5790	4170	3030	2680	1990			2180*	1820	6.31
-4.5 m																				3490*	2860	4.76

CX130D BLADE UP Short arm. 2.11 m arm length, 0.55 m³ bucket, 600 mm shoes, max reach 7.96 m

7.5 m							2060*	2060*							1760*	1760*	4.60					
6.0 m							2890*	2890*	2270*	2260					1460*	1460*	6.26					
4.5 m										3230*	3230*	2940	2240		1360*	1360*	7.14					
3.0 m										5670*	5670*	4250*	3450	2850	2140	1800*	1420	1370*	1370*	7.58		
1.5 m										8010*	5970	4360	3190	2730	2030	1880	1380	1430*	1320	7.67		
0 m										7280*	5600	4160	3010	2630	1930			1590*	1370	7.44		
-1.5 m										5450*	5450*	8300	5670	4100	2960	2610	1910			1920*	1560	6.86
-3.0 m										8150*	8150*	8050*	5800	4180	3040					2660*	2040	5.85
-4.5 m																				3800*	3740	4

Front Side	REACH													
	0 m		1.5 m		3.0 m		4.5 m		6.0 m		7.5 m		At max reach	

CX130D BLADE UP Long arm. 3.01 m arm length, 0.37 m³ bucket, 600 mm shoes, max reach 8.77 m

7.5 m													1360*	1360*	5.96
6.0 m									2230*	2230*			1190*	1190*	7.26
4.5 m									2590*	2350	2040*	1550	1130*	1130*	8.02
3.0 m							3440*	3440*	2940*	2240	2000	1500	1140*	1140*	8.40
1.5 m					6600*	6370	4480	3340	2810	2100	1930	1430	1200*	1130	8.49
0 m			2590*	2590*	8500*	5750	4240	3080	2680	1970	1870	1370	1330*	1150	8.28
-1.5 m	3740*	3740*	4550*	4550*	8240	5580	4090	2940	2600	1900	1840	1340	1560*	1270	7.76
-3.0 m	5030*	5030*	6650*	6650*	8380	5650	4100	2960	2620	1920			2030*	1550	6.89
-4.5 m			10680*	10680*	7320*	5850	4210	3120					3070	2250	5.49

CX130D Standard arm. 2.50 m arm length, 0.50 m³ bucket, 600 mm shoes (LC), max reach 8.31 m

7.5 m							1830*	1830*							5.22
6.0 m									2370*	2230					6.70
4.5 m							2900*	2900*	2830*	2190	1240*	1240*			7.53
3.0 m					5260*	5260*	3950*	3380	3250	2090	2230	1390			7.94
1.5 m					7700*	5920	5030	3130	3150	1970	2170	1330			8.02
0 m			2490*	2490*	7980*	5460	4840	2920	3040	1870	2120	1290			7.80
-1.5 m			5020*	5020*	9240*	5420	4740	2830	2990	1820					7.25
-3.0 m			7810*	7810*	8520*	5520	4780	2880	3040	1880					6.31
-4.5 m					6460*	5680	4000*	3010							4.76

CX130D Short arm. 2.11 m arm length, 0.55 m³ bucket, 600 mm shoes (LC), max reach 7.96 m

7.5 m							2060*	2060*							4.60
6.0 m							2890*	2890*	2270*	2150					6.26
4.5 m							3230*	3230*	3010*	2130					7.14
3.0 m					5670*	5670*	4250*	3290	3230	2030	1800*	1340			7.58
1.5 m					8010*	5700	4980	3040	3100	1920	2130	1300			7.67
0 m					7280*	5340	4780	2850	3000	1830					7.44
-1.5 m			5450*	5450*	9080*	5400	4720	2810	2970	1800					6.86
-3.0 m			8150*	8150*	8050*	5540	4790	2890							5.85
-4.5 m					5470*	5470*									4

CX130D Long arm. 3.01 m arm length, 0.37 m³ bucket, 600 mm shoes (LC), max reach 8.77 m

7.5 m													1360*	1360*	5.96
6.0 m									2220*	2220*			1190*	1190*	7.26
4.5 m									2590*	2250	2040*	1460	1130*	1130*	8.02
3.0 m							3440*	3390	2970*	2140	2260	1420	1140*	1110	8.40
1.5 m					6600*	6100	4680*	3180	3180	1990	2190	1350	1200*	1060	8.49
0 m			2590*	2590*	8530*	5480	4860	2930	3050	1870	2120	1290	1330*	1080	8.28
-1.5 m	3690*	3690*	4550*	4550*	9090*	5310	4700	2790	2960	1790	2100	1260	1560*	1190	7.76
-3.0 m	5040*	5040*	6660*	6660*	8830*	5380	4710	2810	2990	1820			2030*	1460	6.89
-4.5 m			10670*	10670*	7320*	5590	4740	2970					3270*	2130	5.49

