

**D-SERIES CRAWLER EXCAVATORS
CX145D SR / CX245D SR**

CASE

CONSTRUCTION



**TIER 4
FINAL
EU STAGE IV**

**COMPACT
PERFORMANCE**

www.casece.com

**EXPERTS FOR THE REAL WORLD
SINCE 1842**

MAIN REASONS TO CHOOSE THE D-SERIES



PRODUCTIVITY

- Faster cycles thanks to improved hydraulic system
- Best-in-class lifting capacity
- Increased operating weight for extrastability



HIGH VERSATILITY

- The CASE SR models are the perfect machines for jobsites where space is limited (for example, road and urban construction)
- 3 available power modes to match customer needs (A, H, SP)



HIGH EFFICIENCY

- Energy saving system to take advantage of all fuel saving opportunities



TIER 4 FINAL/STAGE IV ENGINE

- Selective Catalytic Reduction after-treatment system and Diesel Oxidation Catalyst
- DPF-free solution saves time and maintenance costs, in addition to delivering a powerful and fuel efficient performance



HIGH RELIABILITY

- Reliability and durability with the new redesigned arm, boom and undercarriage
- New high strength casting parts with joined hinge flanges reduce stress and increase durability



SAFE OPERATION

- ROPS cab and FOPS level II
- Standard foldable handrails and guardrails
- Factory fitted travel alarm for greater safety on the jobsite around the machine
- Maintenance points grouped for easy and safe serviceability



COMFORTABLE CAB

- Superior cab structure with ample legroom for the operator
- Fully adjustable workstation
- New high back seat



BETTER VISIBILITY

- Standard rear and side camera
- Optional CASE maximum view monitor (230° rear & side view)
- New optional LED working light package, is more than three times brighter than its halogen equivalent

CX D-SERIES

CX145D SR

SPECIFICATIONS

ENGINE

Model _____ ISUZU AR-4JJ1X
 Type _____ Water-cooled, 4,cycle diesel, 4-cylinder in line, High pressure common rail system (electric control), Turbocharger with air cooled intercooler, SRC system.

Number of cylinders / Displacement (l) _____ 4 / 2.99

Emissions level _____ Tier 4 final / Eu stage IV

Bore & stroke (mm) _____ 95.4 x 104.9

Rated flywheel horse power

SAE J1349, ISO 9249 (kW / hp) _____ 76.4 / 102 at 2000 min⁻¹

ISO 14396 (kW / hp) _____ 78.5 / 105 at 2000 min⁻¹

Maximum torque

SAE J 1349, ISO 9249 (Nm) _____ 349 at 1800 min⁻¹

ISO 14396 (Nm) _____ 356 at 1800 min⁻¹

HYDRAULIC SYSTEM

Main pumps _____ 2 variable displacement axial piston pumps with regulating system

Max. oil flow (l/min) _____ 2 x 129 at 2000 min⁻¹

Working circuit pressure

Boom/Arm/Bucket _____ 34.3 MPa - 36.3 MPa with auto power boost

Swing circuit _____ 28 MPa

Travel circuit _____ 34.3 MPa

Pilot pump _____ 1 gear pump

Max. oil flow (l/min) _____ 20

Working circuit pressure (MPa) _____ 3.9

Boom Cylinders

Bore (mm) _____ 105

Stroke (mm) _____ 1120

Arm Cylinder

Bore (mm) _____ 115

Stroke (mm) _____ 1108

Bucket Cylinder

Bore (mm) _____ 95

Stroke (mm) _____ 881

SWING

Swing Motor _____ Fixed displacement axial piston motor

Maximum swing speed (min⁻¹) _____ 10.6

Swing torque (kNm) _____ 37

UNDERCARRIAGE

High travel speed (km/h) _____ 5.6

Low travel speed (km/h) _____ 3.4

Drawbar pull (kN) _____ 116

Track shoes _____ 500 mm, 600 mm

and 700 mm steel triple grouser shoes, 500 mm rubber link chain

CIRCUIT AND COMPONENT CAPACITIES

Fuel tank (l) _____ 200

Hydraulic system (l) _____ 158

Hydraulic reservoir (l) _____ 75

Adblue tank (l) _____ 43

SOUND LEVEL

External guaranteed sound level

(EU Directive 2000/14/EC) _____ LwA 99 dB(A)

Operator cab sound pressure level (ISO 6396) _____ LpA 70 dB(A)

OPERATING WEIGHT

	LC	Blade
Max Operating weight (kg) _____	14700	14800
Counterweight (kg) _____	3500	

BLADE DIMENSIONS AND RANGE

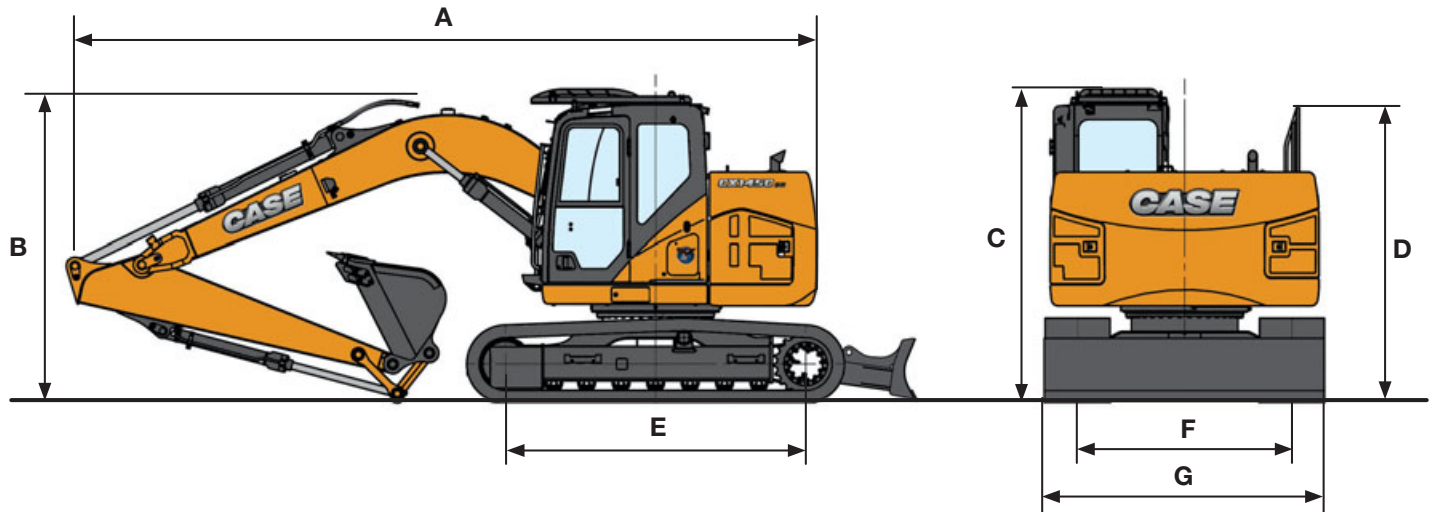
Blade dimensions (width x height) (mm) _ 2490 / 2590 / 2690 x 570

Blade range up / down (mm) _____ 510 / 520

CX D-SERIES

CX145D SR

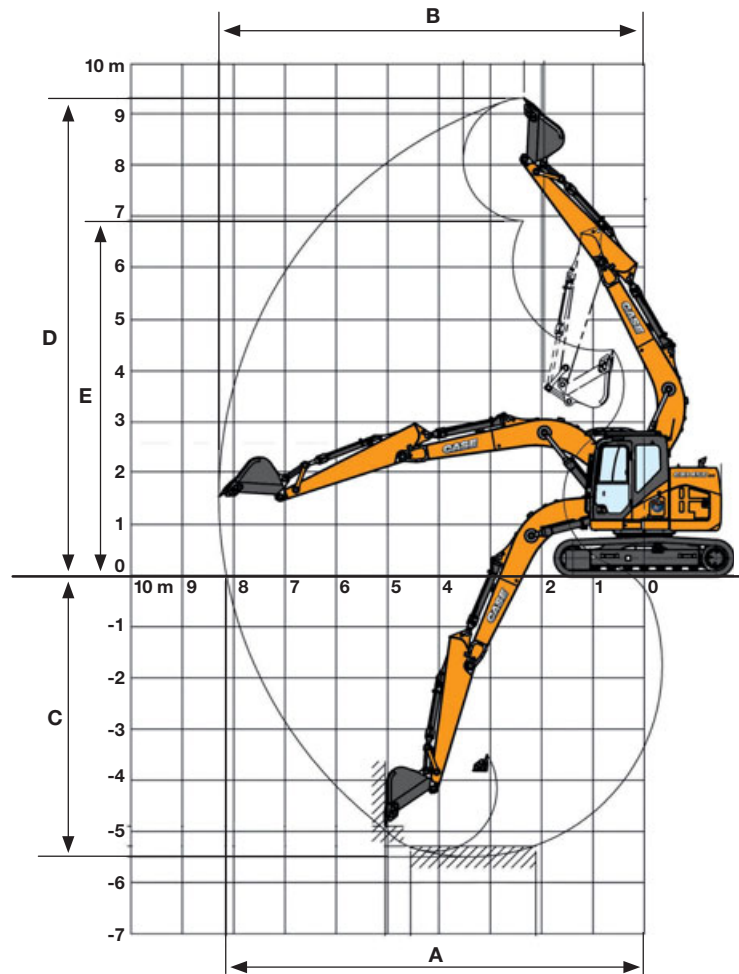
GENERAL DIMENSIONS



CX145D SR LC		Arm 2.5 m	Arm 3.00 m	Arm 2.10 m HD
Overall length (without attachment)		3760	3760	3760
A Overall length (with attachment)	mm	7350	7310	7340
B Overall height (to top of boom)	mm	2790	2600	2720
C Cab height	mm	2900	2900	2900
D Overall height (to top of guardrail)	mm	3000 - 2800 (folded handrail)	3000 - 2800 (folded handrail)	3000 - 2800 (folded handrail)
E Wheel base (Center to center of wheels)	mm	3040	3040	3040
F Track gauge	mm	1990	1990	1990
G Undercarriage overall width (with 600 mm shoes)	mm	2590	2590	2590

CX145D SR BLADE		Arm 2.5 m	Arm 3.00 m	Arm 2.10 m HD
Overall length (without attachment)		4160	4160	4160
A Overall length (with attachment)	mm	7880	7840	7870
B Overall height (to top of boom)	mm	2790	2600	2720
C Cab height	mm	2900	2900	2900
D Overall height (to top of guardrail)	mm	3000 - 2800 (folded handrail)	3000 - 2800 (folded handrail)	3000 - 2800 (folded handrail)
E Wheel base (Center to center of wheels)	mm	2790	2790	2790
F Track gauge	mm	1990	1990	1990
G Undercarriage overall width (with 600 mm shoes)	mm	2590	2590	2590

PERFORMANCE DATA



CX145D SR LC / CX145D SR BLADE

		Arm 2.5 m	Arm 3.00 m	Arm 2.10 m HD
Boom length	mm	4630	4630	4630
A Maximum reach at GRP	mm	8140	8600	7780
B Max reach	mm	8290	8740	7940
C Max digging depth	mm	5510	6010	5110
D Max digging height	mm	9340	9690	9060
E Max dumping height	mm	6940	7290	6660

DIGGING FORCE (ISO 6015)

CX145D SR LC / CX145D SR BLADE

		Arm 2.5 m	Arm 3.00 m	Arm 2.10 m HD
Arm digging force	kN	62	56	70
With auto power boost	kN	66	60	74
Bucket digging force	kN	90	90	90
With auto power boost	kN	95	95	95

CX D-SERIES

CX245D SR

SPECIFICATIONS

ENGINE

Model _____ ISUZU AR-4HK1X
Type _____ Water-cooled, 4,cycle diesel, 4-cylinder in line, High pressure common rail system (electric control), Turbocharger with air cooled intercooler, SRC system.

Number of cylinders / Displacement (l) _____ 4 / 5.2

Emissions level _____ Tier 4 final / Eu stage IV

Bore & stroke (mm) _____ 115 x 125

Rated flywheel horse power

SAE J1349, ISO 9249 (kW / hp) _____ 119.3 / 160 at 1800 min⁻¹

ISO 14396 (kW / hp) _____ 124 / 166 at 1800 min⁻¹

Maximum torque

SAE J 1349, ISO 9249 (Nm) _____ 620 at 1600 min⁻¹

ISO 14396 (Nm) _____ 636 at 1600 min⁻¹

HYDRAULIC SYSTEM

Main pumps _____ 2 variable displacement axial piston pumps with regulating system

Max. oil flow (l/min) _____ 2 x 211 at 1800 min⁻¹

Working circuit pressure

Boom/Arm/Bucket (MPa) _____ 34.3 - 36.8 with auto power boost

Swing circuit (MPa) _____ 29.4

Travel circuit (MPa) _____ 34.3

Pilot pump _____ 1 gear pump

Max. oil flow (l/min) _____ 18

Working circuit pressure (MPa) _____ 3.9

Boom Cylinders

Bore (mm) _____ 120

Stroke (mm) _____ 1370

Arm Cylinder

Bore (mm) _____ 140

Stroke (mm) _____ 1460

Bucket Cylinder

Bore (mm) _____ 120

Stroke (mm) _____ 1010

SWING

Swing Motor _____ Fixed displacement axial piston motor

Maximum swing speed (min⁻¹) _____ 11.8

Swing torque (kNm) _____ 64

UNDERCARRIAGE

High travel speed (km/h) _____ 5.0

Low travel speed (km/h) _____ 3.2

Drawbar pull (kN) _____ 201

Track shoes _____ 600 mm, 700 mm and 800 mm steel triple grouser shoes, 600 mm rubber link chain

CIRCUIT AND COMPONENT CAPACITIES

Fuel tank (l) _____ 320

Hydraulic system (l) _____ 252

Hydraulic reservoir (l) _____ 114

Adblue tank (l) _____ 43

SOUND LEVEL

External guaranteed sound level

(EU Directive 2000/14/EC) _____ LwA 101 dB(A)

Operator cab sound pressure level (ISO 6396) _____ LpA 71.4 dB(A)

OPERATING WEIGHT

Max operating weight (kg) _____ 26000

Counterweight (kg) _____ 6900

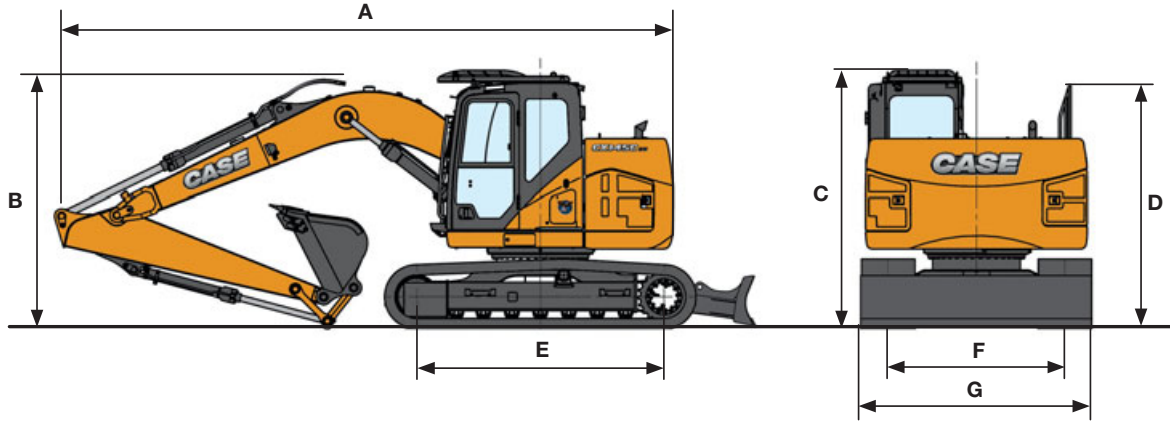
BLADE DIMENSIONS AND RANGE

Blade dimensions (width x height) (mm) _____ 2800 / 3000 x 610

Blade range up / down (mm) _____ 480 / 390

SPECIFICATIONS

GENERAL DIMENSIONS



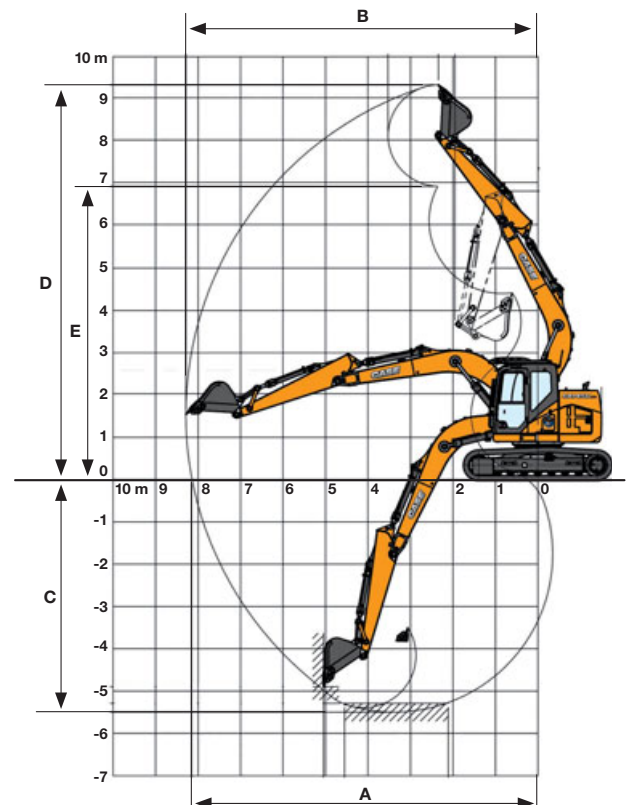
CX245D SR LC / CX245D SR LC BLADE		Arm 2.4 m	Arm 1.90 m HD	Arm 2.95 m
Overall length (without attachment)		4470	4470	4470
A Overall length (with attachment)	mm	8920	8940	8830
B Overall height (to top of boom)	mm	3200	3120	2980
C Cab height	mm	3140	3140	3140
D Overall height (to top of guardrail)	mm	3270 - 3090 (folded handrail)	3270 - 3090 (folded handrail)	3270 - 3090 (folded handrail)
E Wheel base (center to center of wheels)	mm	3660	3660	3660
F Track gauge	mm	2390	2390	2390
G Undercarriage overall width (with 600 mm shoes)	mm	2990	2990	2990

PERFORMANCE DATA

CX245D SR LC / CX245D SR LC BLADE		Arm 2.4 m	Arm 1.90 m HD	Arm 2.95 m
Boom length	mm	5700	5700	5700
A Maximum reach at GRP	mm	9180	8710	9670
B Max reach	mm	9370	8910	9850
C Max digging depth	mm	6120	5620	6650
D Max digging height	mm	10520	10170	10860
E Max dumping height	mm	7630	7280	7970

DIGGING FORCE (ISO 6015)

CX245D SR LC / CX245D SR LC BLADE		Arm 2.4 m	Arm 1.90 m HD	Arm 2.95 m
Arm digging force	kN	125	144	105
With auto power boost	kN	134	154	112
Bucket digging force	kN	144	144	144
With auto power boost	kN	154	154	154



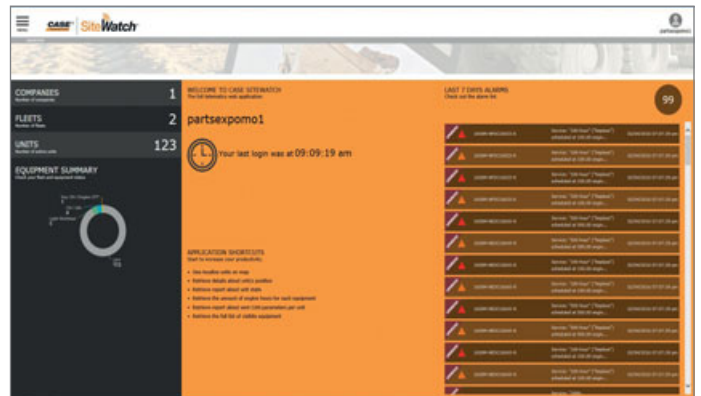
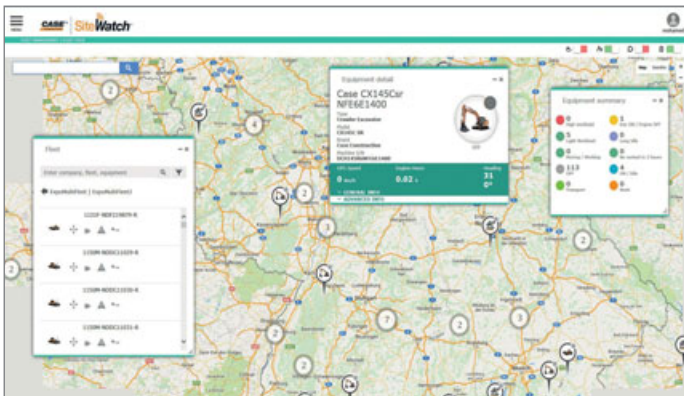


THE SCIENCE BIT

The CASE SiteWatch telematics system uses a high-tech control unit mounted on each machine to collate information from that machine and from GPS satellites. This data is then sent wirelessly through the mobile communication networks to the CASE Telematics Web Portal.

SiteWatch: centralised fleet control benefits at your fingertips

- 📶 Measure your true asset availability and optimise it
- 📶 Challenge your Total Cost of Ownership!
- 📶 More Safety, Lower Insurance Premium



**CNH INDUSTRIAL
 DEUTSCHLAND GMBH**
 CASE Baumaschinen
 Benzstr. 1-3 - D-74076 Heilbronn
 DEUTSCHLAND

CNH INDUSTRIAL FRANCE, S.A.
 16-18 Rue des Rochettes
 91150 Morigny-Champigny
 FRANCE

CNH INDUSTRIAL - UK
 First Floor, Barclay Court 2,
 Heavens Walk,
 Doncaster - DN4 5HZ
 UNITED KINGDOM

CNH INDUSTRIAL - SOUTH AFRICA
 Waterfall Business Park
 Bekker Street, Howick Close
 1685 Midrand - Johannesburg
 REPUBLIC OF SOUTH AFRICA

**CNH INDUSTRIAL
 MAQUINARIA SPAIN, S.A.**
 Avda. José Gárate, 11
 28823 Coslada (Madrid)
 ESPAÑA

CNH INDUSTRIAL ITALIA SPA
 Strada di Settimo, 323
 10099 San Mauro Torinese (TO)
 ITALIA

**CASE CUSTOMER CENTRE
 PARIS**
 RN 330 - Penchard
 77122 - Monthyon
 FRANCE

**CNH INDUSTRIAL - MIDDLE EAST
 DAFZA – Dubai Airport Free Zone
 West Wing 4 B, Office 642
 P.O. Box 54588, Dubai,
 UNITED ARAB EMIRATES**

NOTE: Standard and optional fittings can vary according to the demands and specific regulations of each country. The illustrations may include optional rather than standard fittings - consult your CASE dealer. Furthermore, CNH Industrial reserves the right to modify machine specifications without incurring any obligation relating to such changes.

Conforms to directive 2006/42/EC

CASE
00800-2273-7373

The call is free from a land line.
 Check in advance with your Mobile Operator if you will be charged. Toll free number not available from all calling areas.