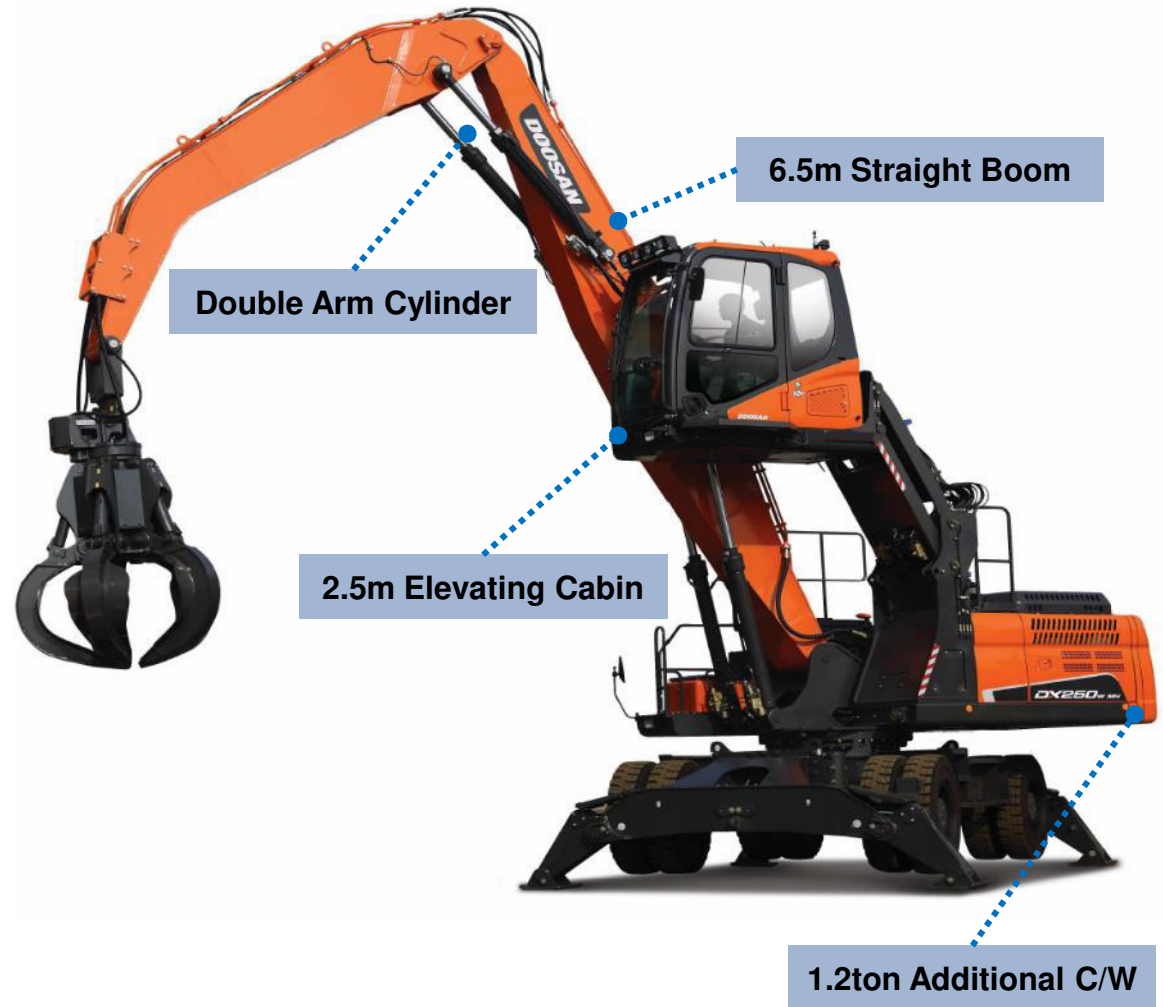
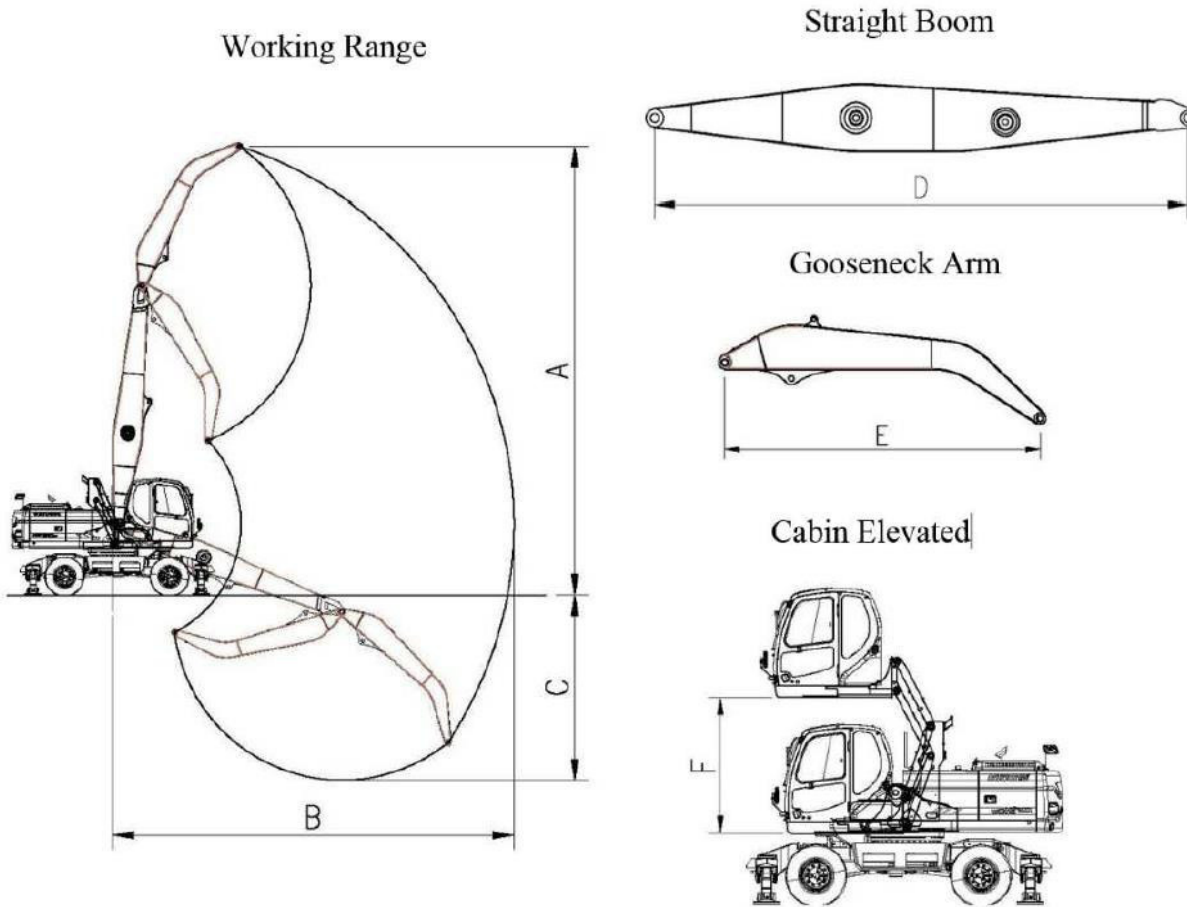


# DX250WMH

<b>Standard</b>	Twoway&PERO Piping
	Front&Rear Outrigger
	Wide Axle
	Floating Boom
	Air Compressor
	6 Additional Working Lamp
	Boom&Arm Safety Valve
	4.5m Gooseneck Arm
<b>Option</b>	4.0m Straight Arm (with Q/C & Clamshell Piping)
	Solid Tire
	Two Pump Flow
	FOGS
<b>Attachment</b>	Grapple
	Magnet (with Hyd. Generator)



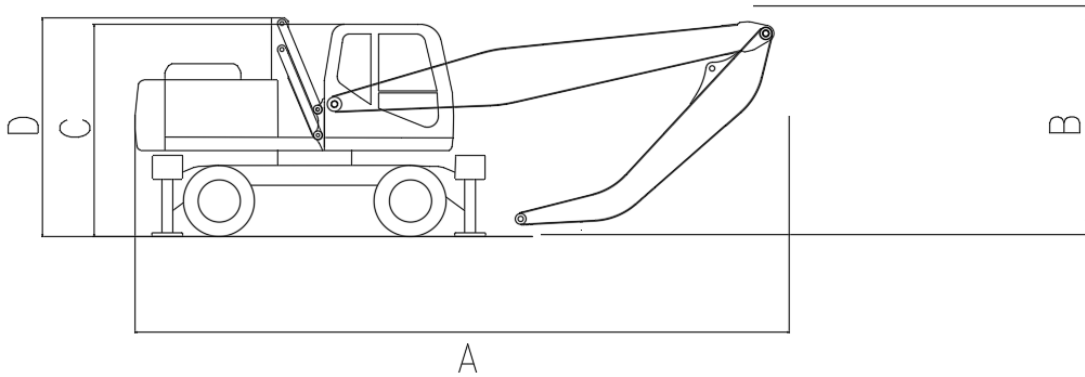
# Working Range



Item		Weight
Base Machine		18,465
Additional Counterweight		1,200
Front	Boom	2,000
	Arm	1,200
Cabin Elevating		1,190
Total		24,855

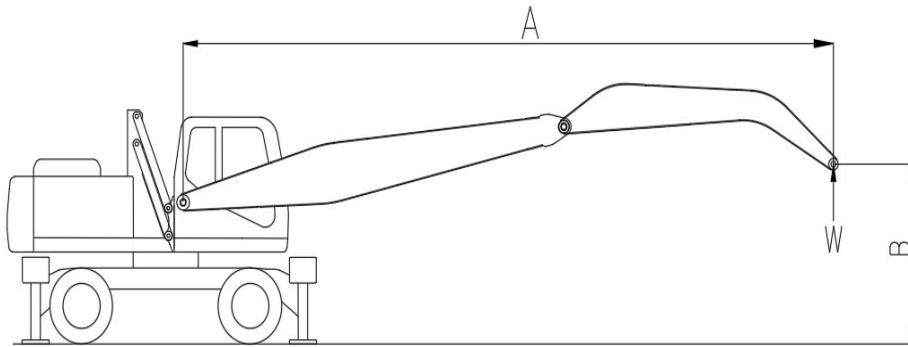
<b>Max. Pin Height (A)</b>	12 m	<b>Boom Length (D)</b>	6.5 m	<b>Elevated Height (F)</b>	2.5 m
	<b>Arm Length (E)</b>	<b>Max. Reach (B)</b>	<b>Max. Working Depth (C)</b>		
<b>Gooseneck Arm</b>	4.5 m	10.7 m	4.7 m		
<b>Straight Arm</b>	4.0 m	10.4 m	4.2 m		

# Transportation Dimension



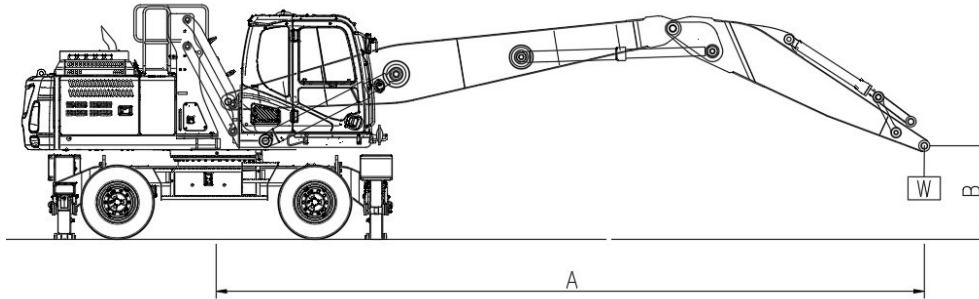
		Gooseneck Arm	Straight Arm
(A)	<b>Overall length – Shipping</b>	9,685	9,750
(B)	<b>Overall height (Boom Hose)</b>	3,310	3,600
(C)	<b>Overall height (Cabin) – Lowered</b>	3,205	3,205
(D)	<b>Overall height (Hand/guard rail)</b>	3,330	3,330
(E)	<b>Rear Swing Radius</b>	2,860	2,860
	<b>Overall width – Shipping</b>	2,750	2,750

# Lifting Capacity – Gooseneck Arm



	1.5m F	1.5m S	3m F	3m S	4.5m F	4.5m S	6m F	6m S	7.5m F	7.5m S	9m F	9m S	10.5m F	10.5m S	Max. F	Max. S	Max. Reach (m)
12m															#9625	#9625	@3.47
10.5m							#6128	#6128							#5978	#5978	@6.4
9m							#5742	#5742	#5212	#5212					#5064	#5064	@8.06
7.5m							#5731	#5731	#5123	#5123	#4651	#4651			#4601	#4601	@9.18
6m					#7097	#7097	#6004	#6004	#5232	#5232	#4640	#4640			#4302	4019	@9.95
4.5m			#11131	#11131	#8120	#8120	#6498	#6498	#5461	#5461	#4711	4673			#4078	3676	@10.44
3m					#9381	#9381	#7067	#7067	#5717	#5717	#4789	4562	#4002	3597	#3882	3492	@10.7
1.5m					#10230	#10230	#7462	#7462	#5872	5812	#4790	4448	#3861	3546	#3683	3429	@10.74
0m			#14608	#14608	#10125	#10125	#7456	#7456	#5799	5648	#4620	4358	#3515	3511	#3449	#3449	@10.57
-1.5m			#12109	#12109	#9128	#9128	#6930	#6930	#5381	#5381	#4164	#4164			#3138	#3138	@10.17

# Lifting Capacity – Straight Arm



B \ A	1.5m F	1.5m S	3m F	3m S	4.5m F	4.5m S	6m F	6m S	7.5m F	7.5m S	9m F	9m S	10.5m F	10.5m S	Max. F	Max. S	Max.Reach(m)
12m															#14764	#14764	@2.28
11m					#7821	#7821									#7423	#7423	@5.03
10m					#7192	#7192	#6223	#6223							#6019	#6019	@6.55
9m					#6927	#6927	#5963	#5963	#5370	#5370					#5333	#5333	@7.64
8m					#6910	#6910	#5911	#5911	#5232	#5232					#4904	4697	@8.47
7m					#7124	#7124	#6005	#6005	#5232	#5232	#4641	4254			#4598	4150	@9.12
6m					#7569	#7569	#6220	#6220	#5313	#5313	#4628	4265			#4360	3786	@9.61
5m			#11445	#11445	#8230	#8230	#6524	#6524	#5443	#5443	#4653	4236			#4159	3538	@9.98
4m					#9016	#9016	#6873	#6873	#5591	#5591	#4688	4187			#3978	3373	@10.24
3m					#9764	#9764	#7199	#7199	#5724	5477	#4706	4128			#3802	3272	@10.39
2m					#10220	#10220	#7417	#7417	#5796	5357	#4678	4067			#3622	3227	@10.44
1m					#10222	#10222	#7452	7297	#5771	5253	#4575	4013			#3424	3234	@10.4
0m					#9765	#9765	#7267	7165	#5607	5172	#4362	3974			#3195	#3195	@10.26
-1m			#11032	#11032	#8940	#8940	#6833	#6833	#5275	5124	#3993	3953			#2919	#2919	@10.01
-2m			#9133	#9133	#7820	#7820	#6150	#6150	#4737	#4737	#3398	#3398			#2570	#2570	@9.65

# Elevating Cabin

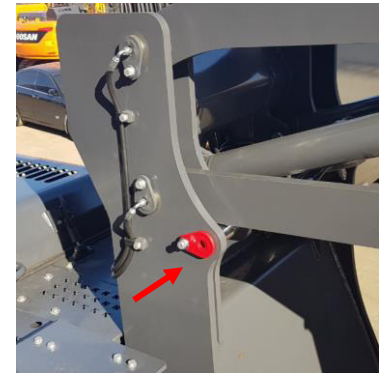
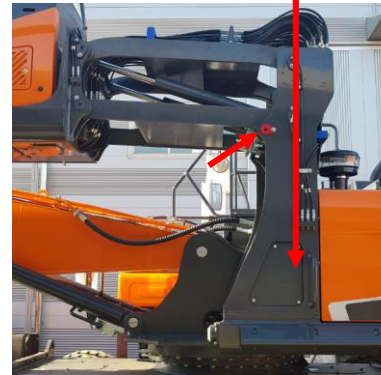
## Activation Elevating Cabin



Confirmation Switch

Activation Switch

## Safety Pin



Emergency Lowering from inside and outside : Cabin can be lowered in emergency with the engine shut down and the ignition key in off position

